



FEATURES

Fully certified and integrated Type 1 AIS AtoN with internal rechargeable battery. Designed for quick and easy deployment on even the smallest buoys. Able to operate for over 5 days between charges or connect directly to an external power source for permanent installations. Unique secure quick fit bracket system.

- Certified Type 1 AIS AtoN
- Integrated and protected GPS & VHF antennas
- Internal rechargeable battery
- Ultra low power consumption
- Easy to install with no wiring

CERTIFICATION

This product is fully tested and certified to the relevant international standards and product specifications (FCC (USA), Industry Canada and R&TTE (CE) Type Approval).

SPECIFICATIONS	
AtoN Functions <ul style="list-style-type: none">• Type 1 FATDMA operation only• Message #21 transmission only	GPS Receiver and Antenna <ul style="list-style-type: none">• 50 channels• IEC 61108-1 compliant• Internal GPS antenna
Physical <ul style="list-style-type: none">• Dimensions: 375mm x 67mm max. (H x D)• Weight: 350g (AtoN Express unit only)• Mounting bracket min / max pole diameter: 25mm to 55mm	Environmental <ul style="list-style-type: none">• IPx6 and IPx7 rated for water ingress• IEC 60945 'Exposed' category• Operating temperature: -15°C to +55°C

SPECIFICATIONS (Continue)

<p>Electrical</p> <ul style="list-style-type: none"> • Power supply: Built in 2100mAh Lithium-Ion rechargeable battery pack • Operating time: Up to 5 days operation at 5 minute reporting interval • Optional external power supply (12 to 24VDC) • Power consumption from external 12 V supply < 1Ah / day with 3 minute position reporting interval • Power consumption from internal battery < 0.4Ah / day 	<p>Designed to be compliant with the following standards</p> <ul style="list-style-type: none"> • AIS Standard: IEC62320-2 Ed. 1 2008-03, AIS AtoN Stations • AIS Standard: ITU-R M.1371-5, Universal AIS Technical Characteristics • Environmental: IEC60945 2002-08 • GPS Performance Standard: IEC61108-1 2003-07 • Product Safety: EN60950-1 2006, +A11 2009, +A1 2010,+A12 2011
<p>VHF Transmitter & antenna</p> <ul style="list-style-type: none"> • Transmitter x 1 • Output power: 1 Watt EIRP • Frequency: 156.025 to 162.025 MHz • Channel bandwidth / step: 25KHz • Modulation GMSK (AIS, transmit) • Bit rate: 9600 b/s (GMSK) • Internal VHF antenna 	<p>Interfaces</p> <ul style="list-style-type: none"> • USB for configuration only • Optional: External power supply connection

SPECIFICATIONS – POWER BOX / CABLE

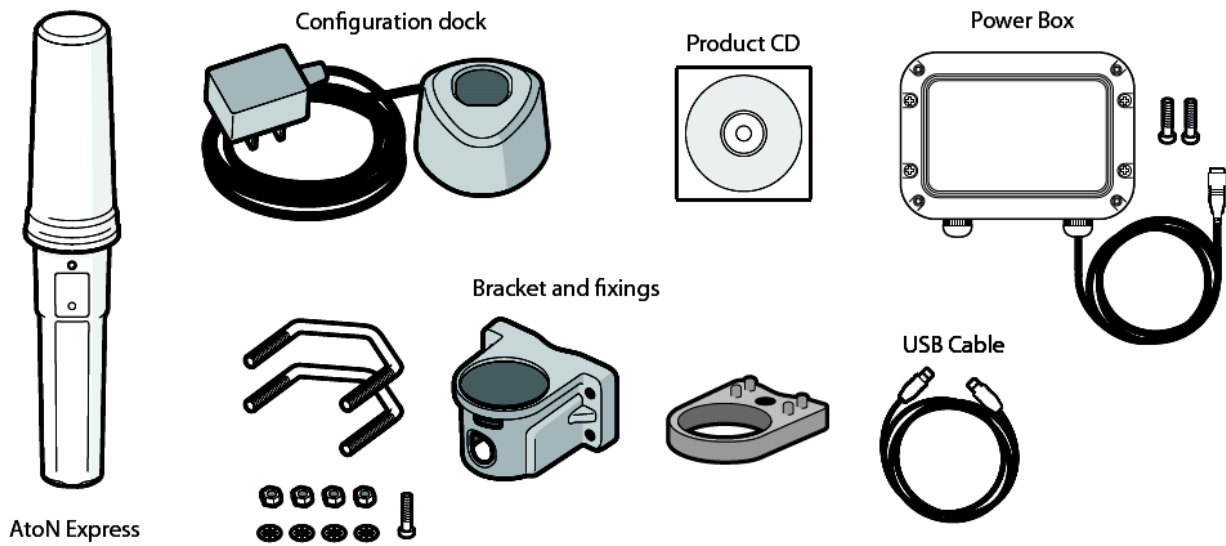
	Min	Max
Supply voltage range	9.6V	31.2V
	12V	24V
Average power	1.2W	
Average supply current	100mA	80mA
Peak supply current	1.2A	0.9A

The AtoN Express is not supplied with a power cable; it is the responsibility of the installer to fit an appropriate connection to the internal PCB-mounted connector block in the Power Box.

The cable must be of a suitable gauge and meet the required IP rating.

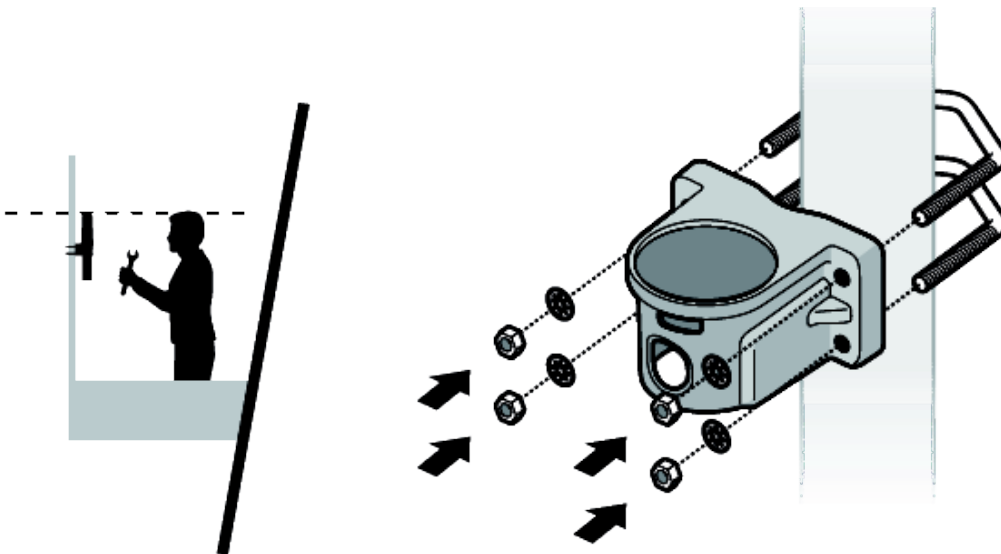
SUPPLIED WITH (in the box)

- AIS AtoN Express with integrated VHF & GPS antennas
- Mounting bracket and fixings
- USB configuration dock and charger
- Configuration software
- User and installation guide
- Power pack

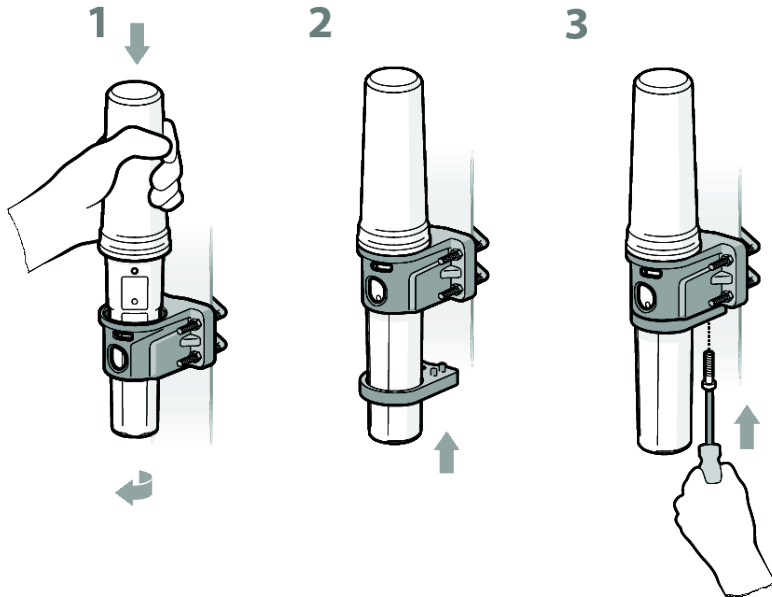


INSTALLATION

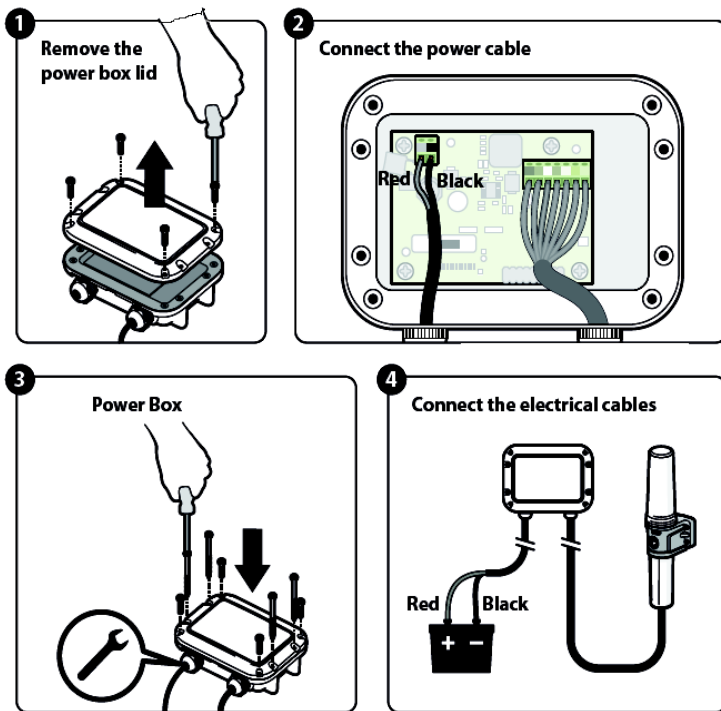
INSTALLING THE ATON EXPRESS BRACKET



FITTING THE ATON EXPRESS TO BRACKET



INSTALLING THE POWER BOX



OTHER PRODUCT



Specifications and features may change without prior notice.